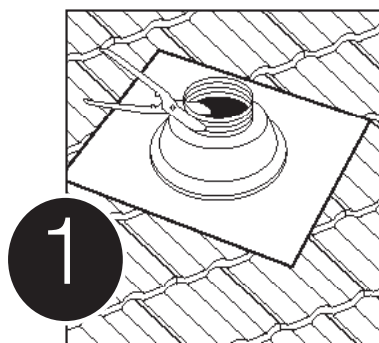
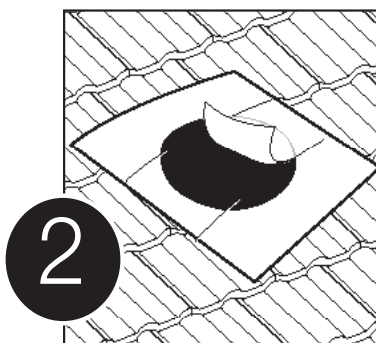


DEKS

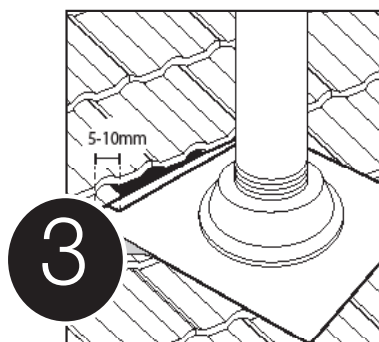
Directions - Rapid Flash



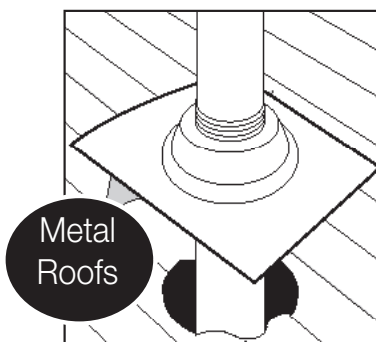
Trim the rubber boot to suit pipe size. Ensure surface is clean and dry before application.



Remove the middle underside backing strip and slide the flashing

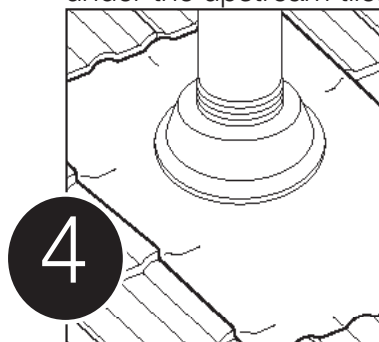


For tile roofs, remove the top backing strip and fold 5-10mm of the top of the flashing up over itself creating a dam and affix under the upstream tile.

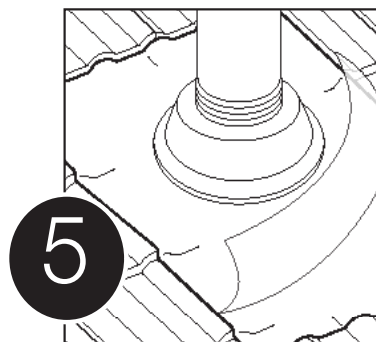


Metal
Roofs

For metal roofs, remove the top backing strip and press down



Remove the bottom backing strip and dress the base down firmly,



To finish, remove the protective film on the top of the Rapid Flash